



# DEA-5TT1<sup>Q&As</sup>

Associate - Networking Exam

**Pass EMC DEA-5TT1 Exam with 100% Guarantee**

Free Download Real Questions & Answers **PDF** and **VCE** file from:

<https://www.passapply.com/dea-5tt1.html>

100% Passing Guarantee  
100% Money Back Assurance

Following Questions and Answers are all new published by EMC  
Official Exam Center

-  **Instant Download** After Purchase
-  **100% Money Back** Guarantee
-  **365 Days** Free Update
-  **800,000+** Satisfied Customers





#### QUESTION 1

What is the default OSPF "hello interval"?

- A. 5 seconds
- B. 10 seconds
- C. 15 seconds
- D. 30 seconds

Correct Answer: B

---

#### QUESTION 2

Which Ethernet frame forwarding method works best when the outbound ports run at the same speed as the inbound port?

- A. Store-and-forward
- B. Fragment-free
- C. Unicast
- D. Cut-through

Correct Answer: D

---

#### QUESTION 3

What accurately describes OSPF?

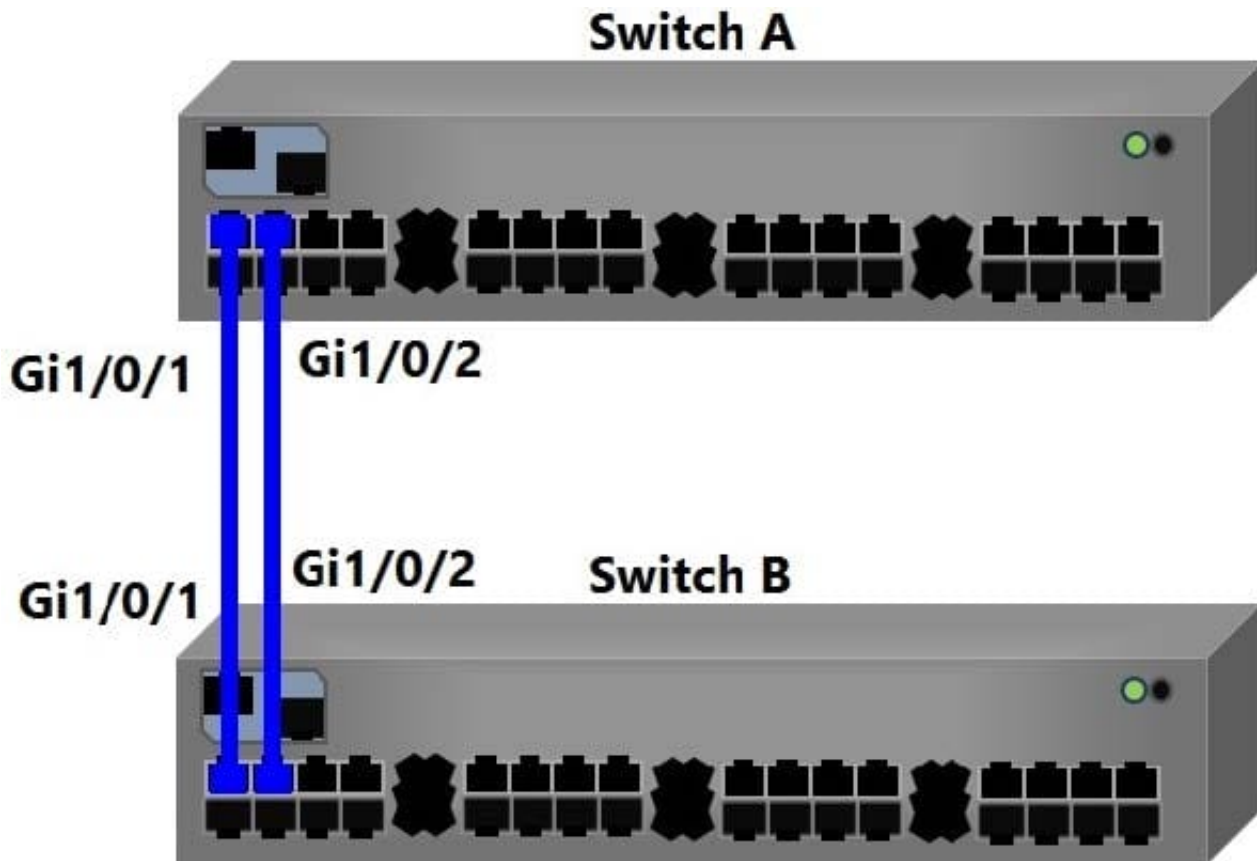
- A. Interior gateway link-state protocol
- B. Exterior gateway distance-vector protocol
- C. Interior gateway distance-vector protocol
- D. Interior gateway path-vector protocol

Correct Answer: A

---

#### QUESTION 4

Refer to the exhibit.



Switch A and Switch B are connected to each other. Both switches use interfaces Gi1/0/1 and Gi1/0/2. Switch A has a Spanning Tree priority of 8192 and Switch B has the default priority. Which interface becomes the root port?

- A. Switch A Gi1/0/1
- B. Switch A Gi1/0/2
- C. Switch B Gi1/0/1
- D. Switch B Gi1/0/2

Correct Answer: A

#### QUESTION 5

Which IPv6 scope is used for private addressing on a local network?

- A. Global
- B. Area wide
- C. Unique local
- D. APIPA

Correct Answer: C



VCE & PDF

PassApply.com

<https://www.passapply.com/dea-5tt1.html>

2024 Latest passapply DEA-5TT1 PDF and VCE dumps Download

---

[DEA-5TT1 VCE Dumps](#)

[DEA-5TT1 Practice Test](#)

[DEA-5TT1 Braindumps](#)